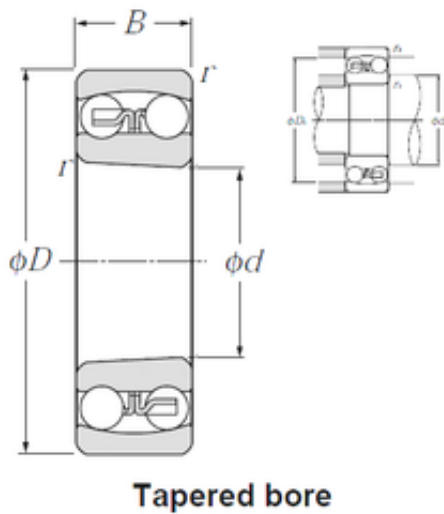




Bearing Argentina



85 mm x 180 mm x 41 mm NTN 1317SK self aligning ball bearings

Bearing No. 1317SK

1317SK Bearing 2D drawings and 3D CAD models

Size	85x180x41 mm
Bore Diameter	85 mm
Outer Diameter	180 mm
Width	41 mm
d	85 mm
D	180 mm
B	41 mm
C	41 mm
r min.	3 mm
da min.	98 mm
Da max.	167 mm
ra max.	2,5 mm
Weight	5,13 Kg
Basic dynamic load rating (C)	98,5 kN
Basic static load rating (C0)	38 kN
(Grease) Lubrication Speed	3 400 r/min
(Oil) Lubrication Speed	4 000 r/min
Calculation factor (e)	0,21
Calculation factor (Y0)	3,1
Calculation factor (Y1)	2,9
rs min	3 mm
Associated sleeve reference	H317X
e	0.21
Y1	2.9
Y2	4.6



Bearing Argentina

Y0	3.1
Radial clearance class	CN
Precision class	P0
Mass	5.13 kg
Dynamic load, C	98.5 kN
Static load, C0	38 kN
Nlim (oil)	4,000 rpm
Nlim (grease)	3,400 rpm
Min operating temperature, Tmin	-20 ° C
Max operating temperature, Tmax	120 ° C
da min	98 mm
da max	110 mm
db min	91 mm
Ce min	6 mm
Da max	167 mm
ra max	2.5 mm