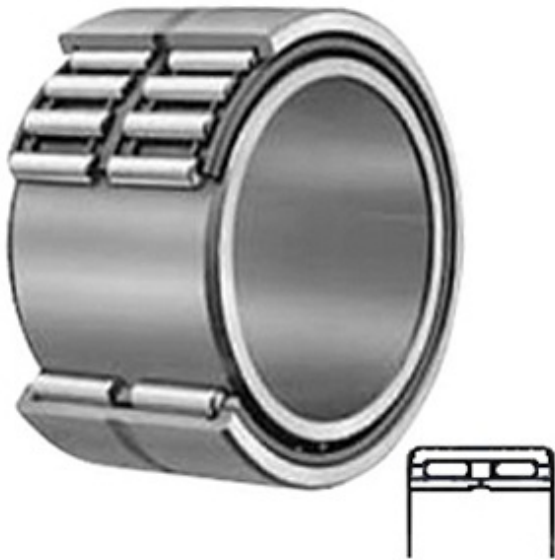




Bearing Argentina



NA-6913 C/2 Bearing 2D drawings and 3D CAD models

2.559 Inch | 65 Millimeter x 3.543 Inch | 90
 Millimeter x 1.772 Inch | 45 Millimeter
CONSOLIDATED BEARING NA-6913 C/2
 Needle Non Thrust Roller Bearings

Bearing No. NA-6913 C/2

Category	Needle Non Thrust Roller Bearings
Inventory	0.0
Manufacturer Name	CONSOLIDATED BEARING
Minimum Buy Quantity	N/A
Weight	0.94
EAN	0644075229678
Product Group	B04144
Rolling Element	Needle Roller Bearing
Component	Complete with Outer and Inner Ring
Enclosure	Open
Self Aligning	No
Retainer	Yes
Number of Rows of Rollers	Double Row
Separable	Inner Ring - Both Sides
Closed End	No
Inch - Metric	Metric
Relubricatable	Yes
Thrust Bearing	No
Long Description	65MM Bore; 90MM Outside Diameter; 45MM Width; Needle Roller Bearing; Complete with Outer and Inner Ring;



Bearing Argentina

	Open; Not Self Aligning; Retainer; Double Row of Rollers; Inner Ring - Both Sides Separable; No
Other Features	Plain Inner Ring Outer Ring with 2 Retaining Rings C2 Clearance Oil Hole
Category	Needle Non Thrust Roller Bearing
UNSPSC	31171512
Harmonized Tariff Code	8482.40.00.00
Noun	Bearing
Keyword String	Needle
Manufacturer URL	http://www.consbrgs.com
Manufacturer Item Number	NA-6913 C/2
Weight / LBS	2.06
d	2.559 Inch 65 Millimeter
B	1.772 Inch 45 Millimeter
D	3.543 Inch 90 Millimeter